

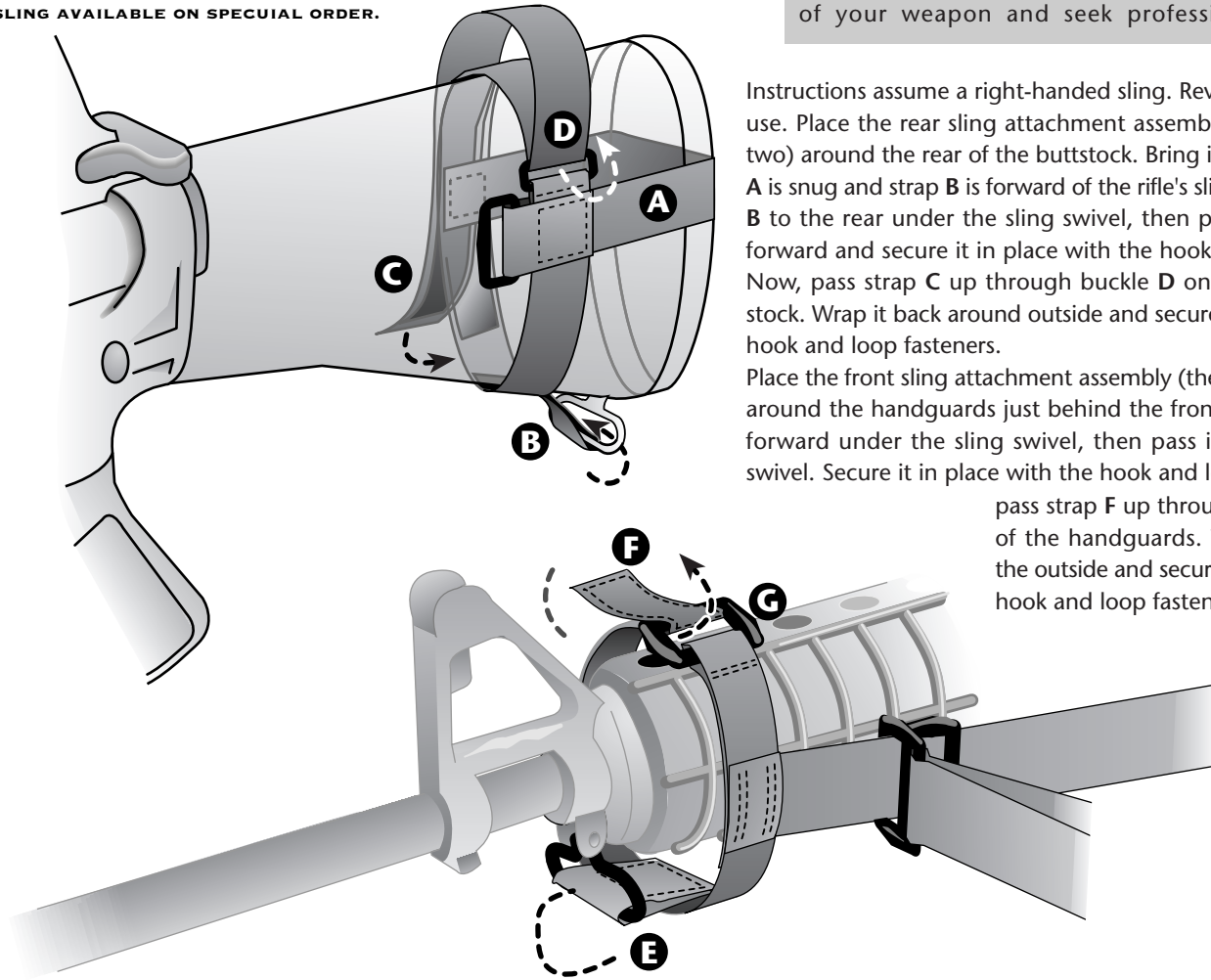
# THE ORIGINAL GILES TACTICAL AR SLING™

Installation procedure for:

## AR-15A2\*-TYPE CARBINES WITH FIXED BUTTSTOCK AND STANDARD DIAMETER ROUND HANDGUARDS

\*A1 SERIES REAR AND FORESTOCKS ARE DIMENSIONALLY DIFFERENT AND REQUIRE A SLING AVAILABLE ON SPECIUAL ORDER.

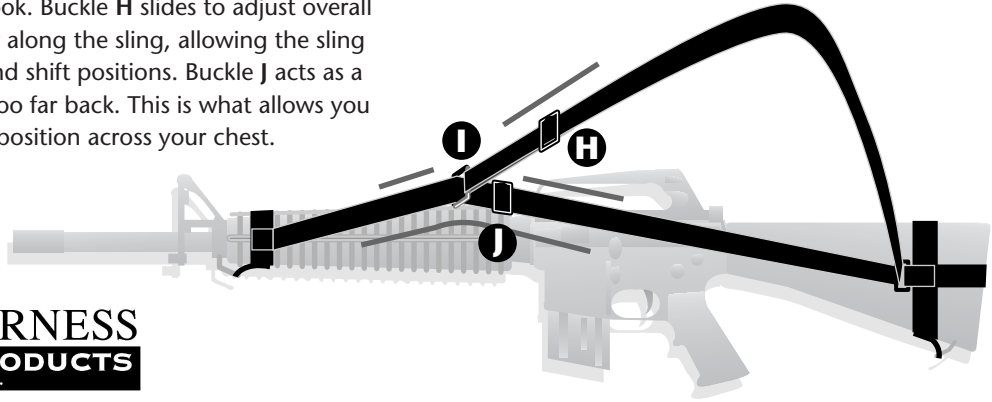
**WARNING:** Mishandling of firearms may cause serious injury or death. Before practicing with your Original Giles Tactical Sling™ make sure your weapon is unloaded and pointed in a safe direction. When handling the firearm, make sure your index finger remains straight along the weapon's frame and not in contact with the trigger! **Do not touch the trigger until your sights are on the target and you are ready to fire.** If the sling interferes with the safe operation or handling of the weapon, discontinue use. For further safety considerations, consult the owner's manual of your weapon and seek professional assistance.



Instructions assume a right-handed sling. Reverse for left-handed use. Place the rear sling attachment assembly (the larger of the two) around the rear of the buttstock. Bring it forward until strap A is snug and strap B is forward of the rifle's sling swivel. Pass strap B to the rear under the sling swivel, then pass it back through forward and secure it in place with the hook and loop fasteners. Now, pass strap C up through buckle D on the left side of the stock. Wrap it back around outside and secure it in place with the hook and loop fasteners.

Place the front sling attachment assembly (the smaller of the two) around the handguards just behind the front sight. Pass strap E forward under the sling swivel, then pass it back through the swivel. Secure it in place with the hook and loop fasteners. Now, pass strap F up through buckle G on top of the handguards. Wrap it back down the outside and secure it in place with the hook and loop fasteners.

This is how the attached sling should look. Buckle H slides to adjust overall length of the sling. Buckle I slides freely along the sling, allowing the sling loop to adjust in length as you move and shift positions. Buckle J acts as a stop, preventing buckle I from sliding too far back. This is what allows you to release the weapon into the vertical position across your chest.



053101



**The WILDERNESS TACTICAL PRODUCTS L.L.C.**

Manufacturers and distributors of the finest tactical gear in the world.

5130 North 19th Ave., Suite 7 • Phoenix, AZ 85015 • 602/242-4945  
www.thewilderness.com • Toll-free order line: 1-800/775-5650

© 2001 All rights reserved.  
Reproduction in whole or in part is prohibited.